



STAINLESS STEEL LEVELING FEET- MODEL A3



The product parameters Products Name:

Adjustable metal furniture leg

Steel Adjustable Foot/Leg

Type: Applied for equipment as refrigerator, furniture and heavy machines

Size: options available

Height: Can be customized

Material: Octagon ABS black plastic, #201 / #304 stainless steel (optional)

Surface treatment: Surface in Matt or Polished available

Strong loading capacity: 900~1000kgs

Packaging Details: One polybag per pc/

50~60 carton-boxes on each



pallet/ covering with moisture-proofing film/ and finally

belt fixed for strong protection

Port: NingBo

Of course we can make as per your requirements.

Adjustable metal furniture leg is made of stainless steel. After processing molding, can be used for dining table, table, desk. A bracket type of heavy equipment. Has the advantages of high-grade, beautiful, strong, practical, rust resistant, wear-resisting etc. As a general rule, be brushed stainless steel or inferior smooth surface. Divided into the chassis, link tube and tray. Products with screws.



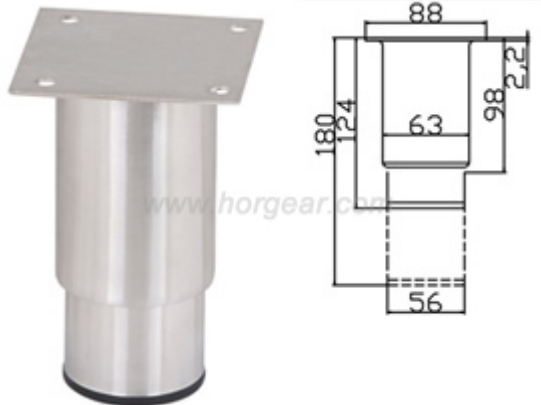

	
<p>Product Name: Continental adjustable feet Details: welding octagonal end, 89 * 89 of welding, plastic 63-55</p>	<p>Product Name: Continental adjustable feet Details: plastic round, 89 * 89 of welding, plastic 63-76</p>



Ningbo Horgear Mechanical and Electrical Co. , Ltd.

ADD: Chehedu Village, Shiqi Street, Yinzhou District,
Ningbo City, Zhejiang Province, China

Email: burgessge@horgear.com TEL: 0086-574-88259418
M. T: 0086-15757878736 FAX: 0086-574-88269988

	
<p>Product Name: Continental adjustable feet Details: plastic octagonal heavy-bottomed, 89 * 89 of welding, plastic 63-76</p>	<p>Product Name: Continental adjustable feet Details: welding octagonal end, 89 * 89 of welding, plastic 63-76</p>
	
<p>Product Name: Continental adjustable feet Details: plastic round, 89 * 89 of welding, plastic 63-85</p>	<p>Product Name: Continental adjustable feet Details: plastic octagonal Bodi, 89 * 89 of welding, plastic 63-85</p>