





ADJUSTABLE METAL FURNITURE LEG- MODEL A2



The product parameters Products Name:
 Adjustable metal furniture leg
 Steel Adjustable Foot/Leg
 Type: Applied for equipment as refrigerator,
 furniture and heavy machines
 Size: options available
 Height: Can be customized
 Material: Octagon ABS black plastic, #201 / #304 stainless
 steel (optional)
 Surface treatment: Surface in Matt or Polished available
 Strong loading capacity: 900~1000kgs
 Packaging Details: One polybag per pc/
 50~60 carton-boxes on each
 pallet/ covering with moisture-proofing film/ and finally
 belt fixed for strong protection
 Port: NingBo
 Of course we can make as per your requirements.

Adjustable metal furniture leg is made of stainless steel. After processing molding, can be used for dining table, table, desk. A bracket type of heavy equipment. Has the advantages of high-grade, beautiful, strong, practical, rust resistant, wear-resisting etc. As a general rule, be brushed stainless steel or inferior smooth surface. Divided into the chassis, link tube and tray. Products with screws.

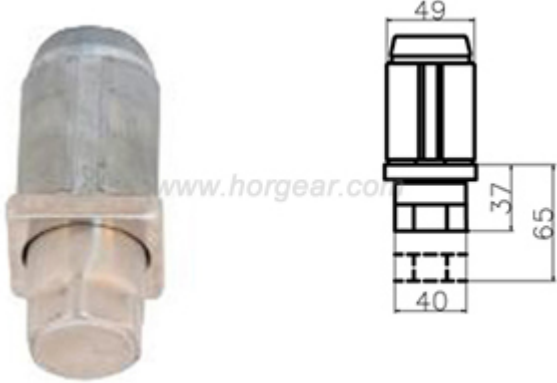
	
<p>Product Name: 38 all-zinc alloy bullet square foot Details: 38 foot-wide zinc alloy bullet</p>	<p>Product Name: 40 all-zinc alloy bullet square foot Details: 40 foot-wide zinc alloy bullet</p>



Ningbo Horgear Mechanical and Electrical Co. , Ltd.

ADD: Chehedu Village, Shiqi Street, Yinzhou District,
Ningbo City, Zhejiang Province, China

Email: burgessge@horgear.com TEL: 0086-574-88259418
M. T: 0086-15757878736 FAX: 0086-574-88269988

 <p>www.horgear.com</p>	
<p>Product Name: Steel 51 foot square bullets Details: small tubes welded steel pipe 40 * 0.5 2.60 at the end.</p>	