



## BAFFLE FILTER-MODEL C



The product parameters

Products Name: Stainless Steel Grease Filter

Other products names: Stainless Steel Canopy Filter/Baffle Filter/Grease Filter/Grease Baffle Filter/Kitchen Grease Filter/Range Hood Filter/Carrasteel Grease baffle filter;

Type: Range Hood Parts

Handles: with or W/O

Material: stainless steel , Stainless iron, and If you need we can be replaced with aluminum

Filtering Capacity: 1.8m<sup>3</sup>/Sec by unit of 50x50cm

Size: options available

Packaging Detail: One polybag per 10 pcs in a strong carton-box with further safe-plastic-bag protection/ 20~30 boxes on each pallet/ covering with moisture-proofing film/ and finally belt fixed for strong protection.

Place of Origin: Ningbo Zhejiang China (Mainland)  
Port: NINGBO

Supply Ability: 10000 Pieces per Month

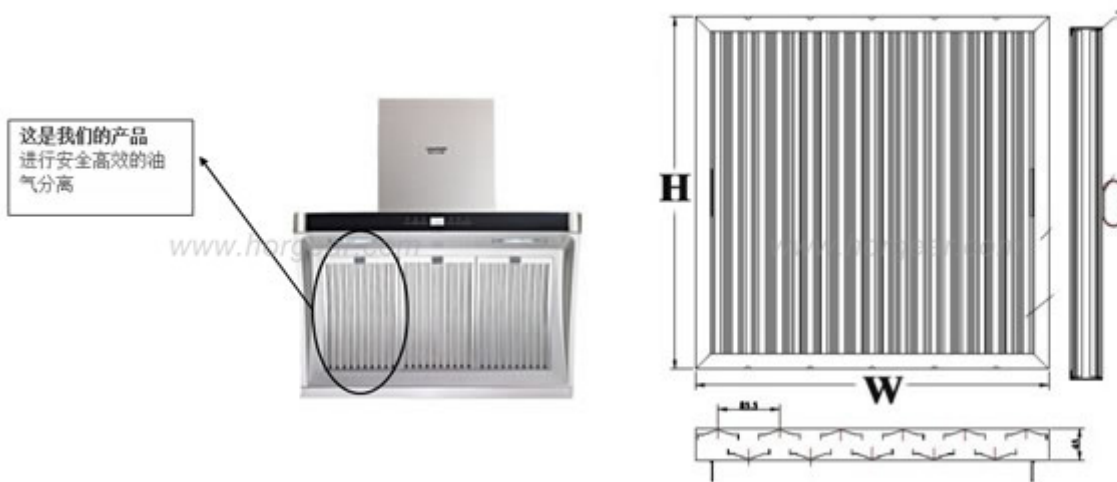
Of course we can make as per your requirements.

Hood filters other models accept custom, welcomed the order.

Size(H*W)	Dimension(H*W)	Material
15.3" *15.3"*1.75"	390*390*45mm	201 Grade SS
		304 Grade SS
		430 Grade SS
15.5"*15.5"*1.75"	395*395*45mm	201 Grade SS
		304 Grade SS
		430 Grade SS
15.5"*19.5"*1.75"	395*495*45mm	201 Grade SS
		304 Grade SS
		430 Grade SS
19.3"*19.3"*1.75"	490*490*45mm	201 Grade SS
		304 Grade SS
		430 Grade SS
19.3"*15.3"*1.75"	490*390*45mm	201 Grade SS
		304 Grade SS
		430 Grade SS



19.5"*19.5"*1.75"	495*495*45mm	201 Grade SS
		304 Grade SS
		430 Grade SS
19.5"*15.5"*1.75"	495*395*45mm	201 Grade SS
		304 Grade SS
		430 Grade SS
18"*18"*1.75"	445*445*45mm	201 Grade SS
		304 Grade SS
		430 Grade SS



Commercial smoke lampblack machine to the baffle type lampblack machine filter suitable for Europe and the United States.

This product is very popular in Europe, South America, the Middle East and other places, our this product exported to England, Spain, Germany, Chile, Columbia, Malaysia, Dubai and so on.

#### Quality and performance

Unlike other grease filters that trap and hold the grease until cleaned, these quality stainless steel baffle filters cause the air to change direction which catches the grease particles. The grease then runs down the blades through a drain hole and into the gutter of the kitchen exhaust hood. This method of grease filtration gives 100% flame barrier protection, stopping extreme fire from entering into the exhaust hood, roof ducting etc., creating further damage to the building. Fabricated completely in a quality gauge stainless steel, with an attractive no4 finish, these filters are very easy to maintain and clean on site saving costs on filter exchange services. They will handle all cleaning products without discolouring and will outlive all other types of exhaust hood grease filters.

#### Advantages of Stainless Steel Baffle Filters

- 1.No energy consumption, low cost; Low maintenance easy to clean
- 2.Stable Quality & High Performance; Outlive any other type of grease filter
- 3.High-Temp Endurance; Fire free; 100% flame barrier in a case of fire
- 4.Easy Installation
- 5.Vane design prevents grease from dripping-food,utensils and burner surfaces remain clean

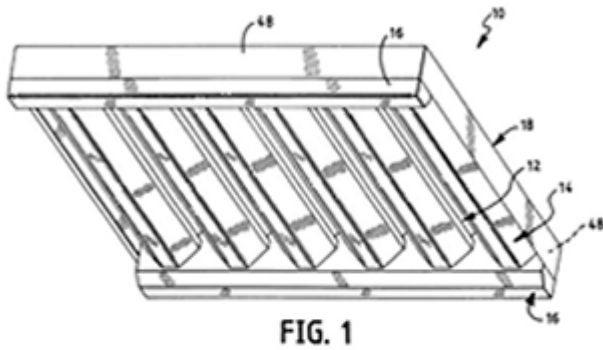


FIG. 1

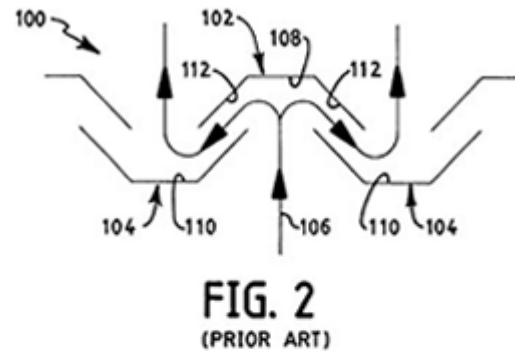


FIG. 2  
(PRIOR ART)

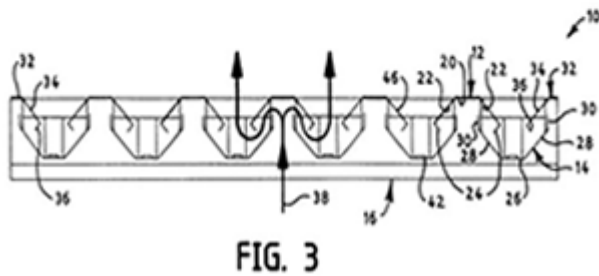


FIG. 3

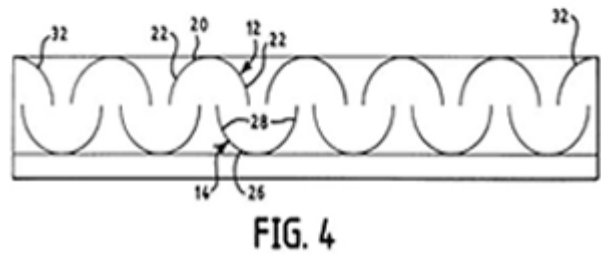


FIG. 4

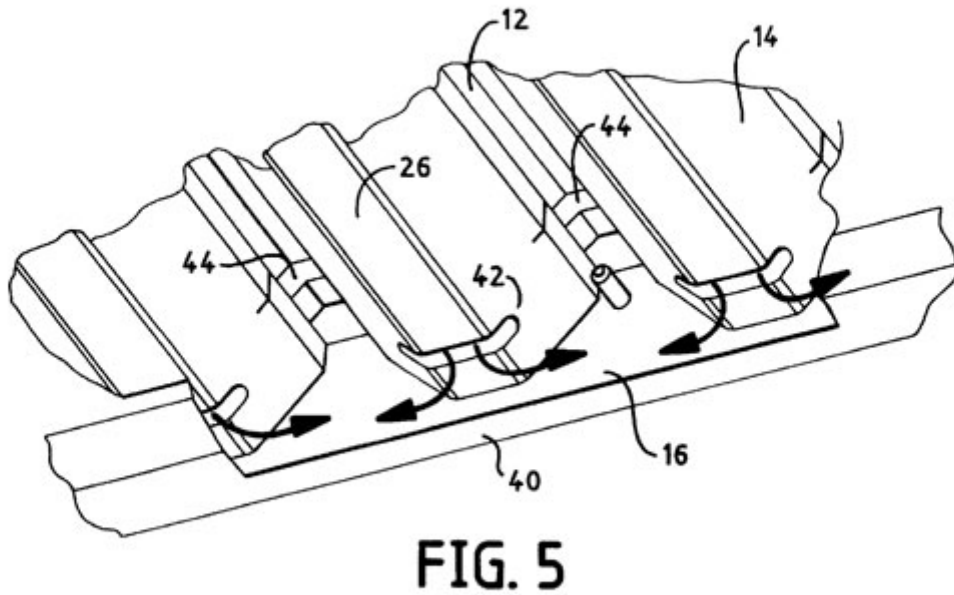


FIG. 5